

东台市亨利通电子元器件有限公司

产品说明书

Product Manual

产品名称 NAME	20mm 电位器 20mm Control potentiometer
产品型号 MODLE	WH020
电气参数 Electrical	
阻值范围 Resistance Range	1K Ω -1M Ω
阻值误差 Resistance Tolerance	$\pm 10\%$ Precision、 $\pm 20\%$ Standard
残留阻抗 End Resistance	<3 Ω
阻值变化规律 Resistance Taper	B(JIS 直线 JIS LINEAR)
线性精度 Independent Linearity	$\pm 3\%$
额定功率 Power Rating	0.25W(40 $^{\circ}$ C)0W(70 $^{\circ}$ C)
接触电阻变化 Peak Noise (C.R.V.)	<2%Rn
耐电压 Dielectric Strength	1000V 1minute
有效电气行程 Adjustment Travel	280 $^{\circ}$
绝缘电阻 Insulation Resistance	100M 500VDC
分辨率 Resolution	无限大 Essentially infinite
最大工作电压 Maximum Input Voltage	200VDC
环境参数 Environmental	
存储温度 Storage Temperature Range	-25 $^{\circ}$ C ~ +70 $^{\circ}$ C
使用温度 Operating Temperature Range	-25 $^{\circ}$ C ~ +70 $^{\circ}$ C
温度系数 Temperature coefficient	500ppm/ $^{\circ}$ C
电气耐久性 Load Life	1, 000h @ 40 $^{\circ}$ C; 0.2W $\Delta R/R \leq \pm 10\%$
旋转寿命 Rotational Life	25, 000 次 $\Delta R/R \leq \pm 7\%$
IP 防护等级 IP Range	IP30
耐焊接热 Soldering Heat Resistance	(350 $^{\circ}$ C 3S) $\Delta R/R \leq \pm 2\%$
热循环 Temperature Cycle	(-25 $^{\circ}$ C、+85 $^{\circ}$ C 30min/each、5 cycles) $\Delta R/R \leq \pm 10\%$
振动 Vibration	10-55Hz, 1.5mm 振幅 amplitude, 3 方向 directions $\Delta R/R \leq \pm 5\%$
机械参数 Mechanical	
尺寸 SIZE	见附图 SEE DRAWING
机械行程 Mechanical Travel	300 $^{\circ}$
旋转力矩 Shaft Torque	50 ~ 150gf·cm
止挡力矩 Stop Strength	>40N·cm
锁紧力矩 Mounting Nut Torque	8Kgf·cm
轴跳动 Shaft Runout	0.15mm
轴端间隙 Shaft End Play	(出轴长度 shaft length 30 mm)0.15mm
径向间隙 Shaft Radial Play	0.15mm
轴的推力 Shaft Strength (push)	125 N (12.75 kgf) min.
轴的拉力 Shaft Strength (tensile)	125 N (12.75 kgf) min.
标记 Marking	Resistance
配件 Hardware.	平瓦、锁紧垫片、螺母 Washer、Lockwasher、 Nut
开关参数 Switch Specifications	
额定电流 Nominal current	1A, 50VAC
接触电阻 Contact Resistance	10m Ω
起动力矩 Operating torque	3N · cm
工作角度 Operating angle	10 $^{\circ}$
测试电压 Test Voltage	500V

ELECTRICAL

- Rf: 500Ω-5MΩ
- Rf TOLERANCE: ±20%
- ELECTRICAL ANGLE: 280° ±5°
- LINE TYPE: LINEER(B) LOGARITHMIC(A)
- INDEPENDENT LINEARITY: ±5%
- CONTACT RESISTANCE VARIATION: <2%R_n
- TEMPERATURE COEFFICIENT: <±500PPM/°C
- POWER RATING: 0.25W(40°C)

MECHANICAL

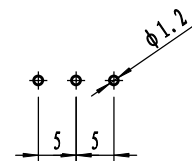
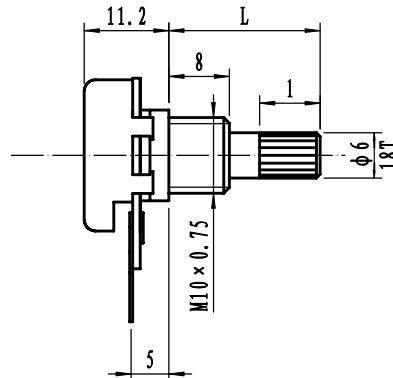
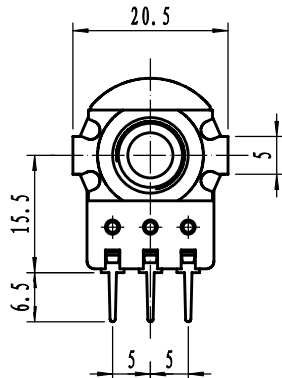
- ANGLE: 300° ±5°
- ROTATIONAL LIFE: >50,000 CYCLES
- Shaft material :Plastic
- Bushing material: Plastic or metal

ENVIRONMENTAL

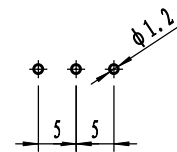
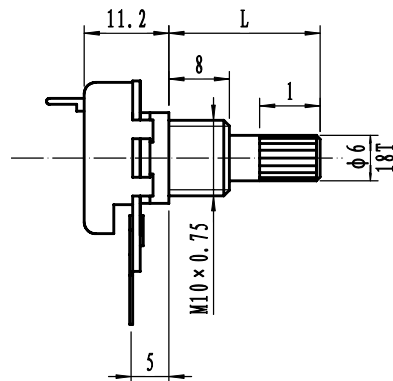
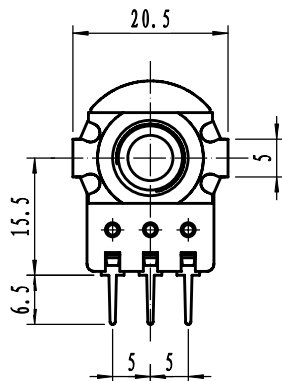
- STORAGE TEMPERATURE -40°C TO +85°C
- OPERATING TEMPERATURE -25°C TO +70°C

L	15	18	20	25	30	35
	8	8	8	8	20	20

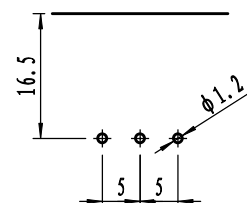
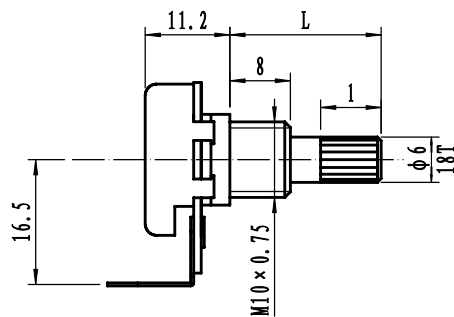
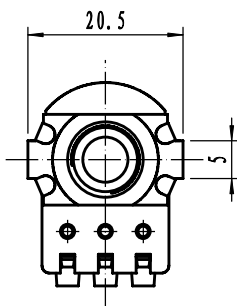
WH020-H



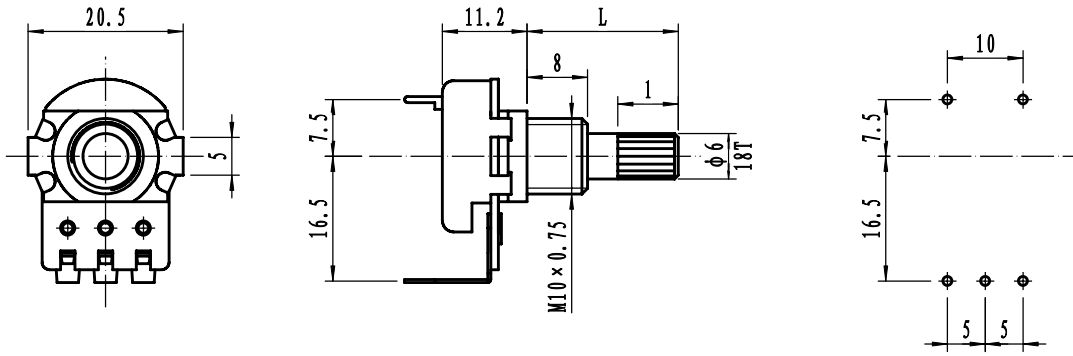
WH020-HT



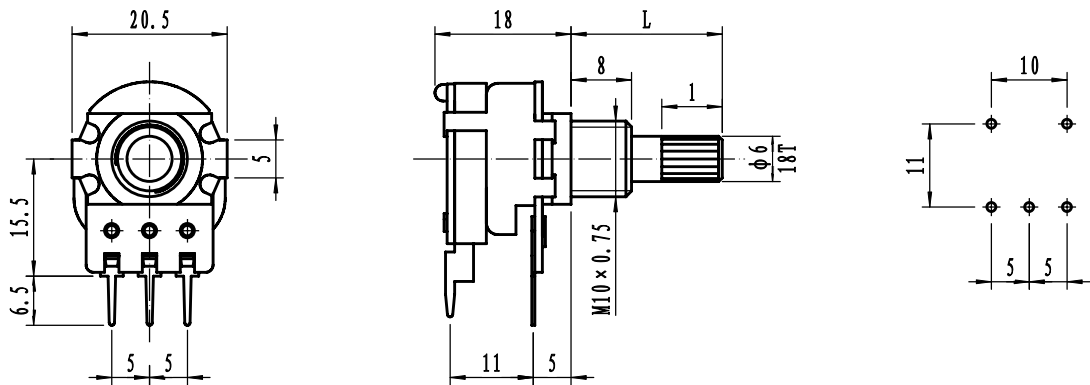
WH020-V



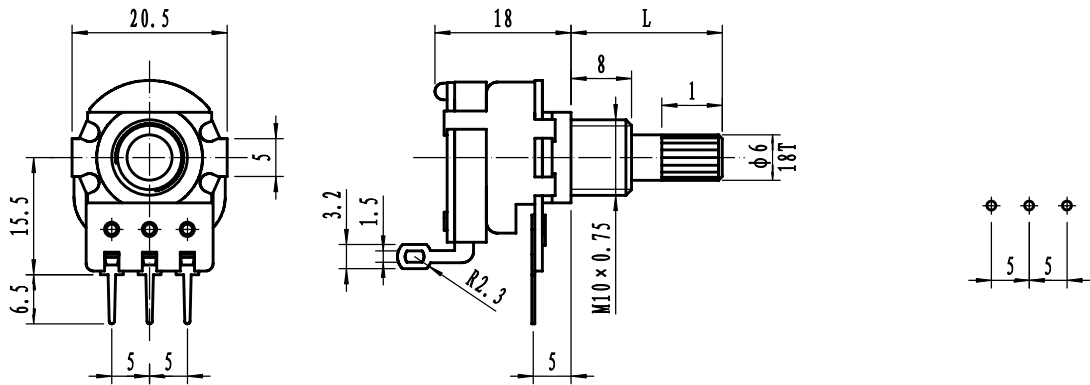
WH020-VT



WH020-HK



WH020-VK



WH020-D

