

ELECTRICAL

- Rf: 500Ω-5MΩ
- Rf TOLERANCE: ±20%
- ELECTRICAL ANGLE: 280° ±5°
- LINE TYPE: LINEER(B) LOGARITHMIC(A)
- INDEPENDENT LINEARITY: ±5%
- CONTACT RESISTANCE VARIATION: <2%Rn
- TEMPERATURE COEFFICIENT: <±500PPM/°C
- POWER RATING: 0.25W(40°C)

MECHANICAL

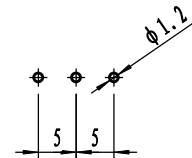
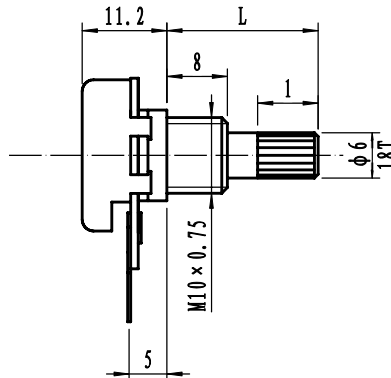
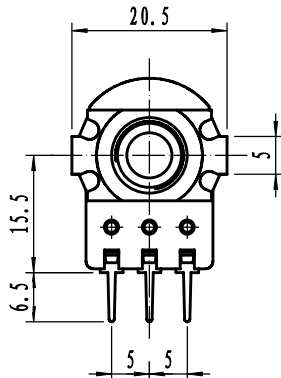
- ANGLE: 300° ±5°
- ROTATIONAL LIFE: >50,000 CYCLES
- Shaft material :Plastic
- Bushing material: Plastic or metal

ENVIRONMENTAL

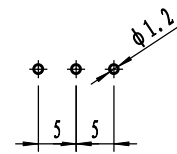
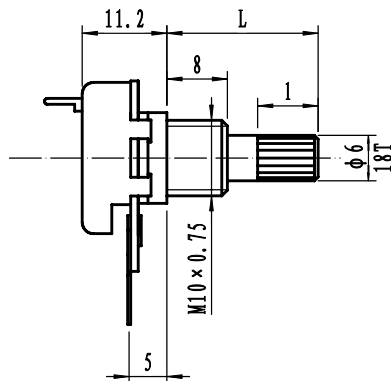
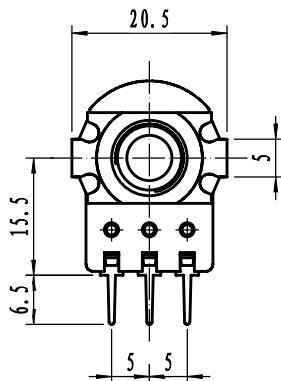
- STORAGE TEMPERATURE -40°C TO +85°C
- OPERATING TEMPERATURE -25°C TO +70°C

L	15	18	20	25	30	35
	8	8	8	8	20	20

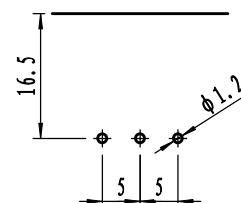
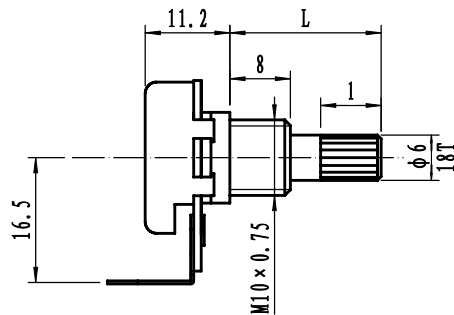
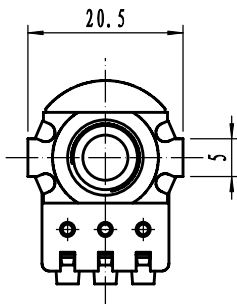
WH020-H



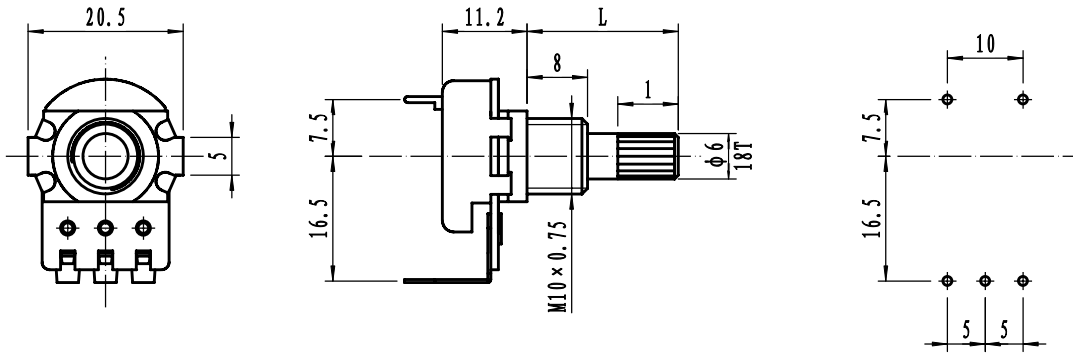
WH020-HT



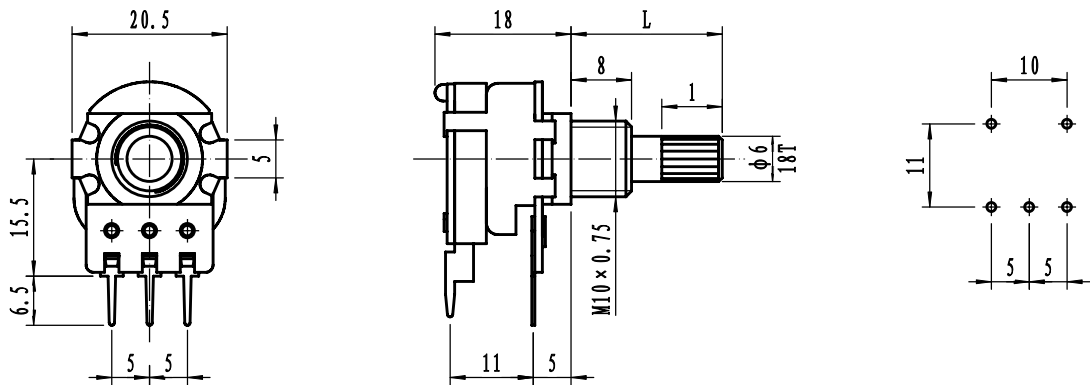
WH020-V



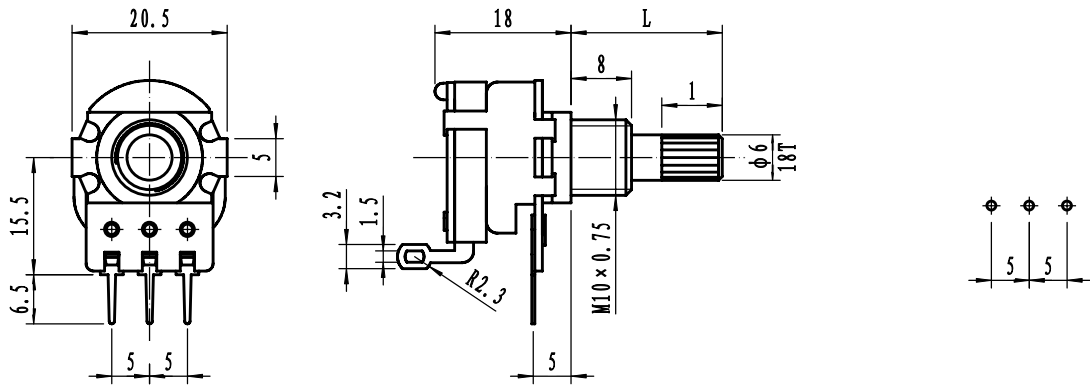
WH020-VT



WH020-HK



WH020-VK



WH020-D

